

## Gilson Porta-Screen® PS-3, PS-4



PS-3



PS-4



VIDEO TUTORIALS AVAILABLE on [globalgilson.com](http://globalgilson.com) for Porta-Screen® maintenance and repair.

Rev: 07/2022

---

# Gilson Porta-Screen®

## PS-3, PS-4 Operating Manual

### CONTENTS

<b>Safety Instructions</b> .....	<b>3</b>
<b>1.0 Unpacking &amp; Setup</b> .....	<b>4</b>
<b>2.0 Operation Instructions</b> .....	<b>4</b>
2.1 Timer Setup & Operation .....	4
2.2 Procedure.....	4
<b>3.0 Sample Capacity</b> .....	<b>5</b>
3.1 Coarse Aggregates .....	5
3.2 Fine Aggregates .....	5
<b>4.0 Maintenance &amp; Disassembly</b> .....	<b>5</b>
4.1 Clamping System.....	5
4.2 Lubrication .....	5
4.3 Belts .....	6
4.4 Bearing Replacement .....	6
<b>5.0 Parts Diagram</b> .....	<b>8</b>
5.1 PS-3 & PS-4 Parts Diagram .....	8
<b>6.0 Parts List</b> .....	<b>9</b>
6.1 PS-3 & PS-4 Parts List .....	9
6.2 Replacement Trays, Wire Cloth, & Parts .....	10
<b>7.0 Accessories</b> .....	<b>11</b>



See our Video Tutorials at [globalgilson.com](http://globalgilson.com) for more Porta-Screen® maintenance and repair information.

# SAFETY INSTRUCTIONS

Please read these instructions thoroughly to familiarize yourself with the operation of the PS-3 or PS-4 before attempting to run it.

The buyer is responsible for ensuring that users are properly trained, that they are aware of all of the information and instructions in this document, and that they are aware of the potential risks of operating the apparatus. The manufacturer will not be responsible for any damage to people and/or property caused by noncompliance with any instructions in this manual.

**NOTE:** These instructions are intended only as a guide for general operation of this device and should not be used in place of test protocol. Refer to current specifications for complete and detailed test procedures.

**ALWAYS** ensure the motor and other electrical components are properly configured for your intended use and available power source. The Gilson Porta-Screen® comes with a 1/2hp motor wired for 115V,60Hz. It can also be ordered with 230V,50Hz wiring.

**ALWAYS** use a properly-wired, three-pronged plug, or otherwise ground the machine. Make sure the cord is located where no one will trip or get tangled in it.

**ALWAYS** check electrical wiring for loose connections and for pinched or frayed wiring.

**ALWAYS** disconnect and lock out power supply when the machine is not in use, especially before performing maintenance and repairs.

**⚠ WARNING:** This machine operates on an electric current. Improper operation could result in electric shock, electrocution, or an explosion! Motors are **NOT** explosion-proof! The electric motor on this machine has internal thermal protection. If the motor shuts off from overload, the machine may restart by itself after cooling off unless the machine is unplugged during cooldown.

**⚠ WARNING:** Do not wear loose clothing that might be caught in the machine and keep all body parts away from moving parts of the machine. **ALWAYS** wear safety glasses, hearing protection, and other personal protective equipment while operating, maintaining, or repairing this machine. Take care not to pinch your fingers between the clamp levers and the machine frame.

**⚠ WARNING:** **DO NOT** operate the machine without having all guards and covers in place.

**⚠ WARNING:** **DO NOT** perform tasks on the machine other than those for which it was designed. Only use the machine in the manner for which it was intended, as described in this instruction manual.

**⚠ WARNING:** Only operate this machine in a properly ventilated area. **DO NOT** use this machine in an explosive or hazardous atmosphere. It is **NOT** explosion-proof or approved for operation in hazardous locations.

**⚠ WARNING:** **ALWAYS** level the machine prior to operation. Stop the machine immediately and re-level if excessive vibration or machine movement occurs.

## WARNING



**MOVING PARTS** Can Crush and Cut. Operate Carefully.

## CAUTION



**Wear safety glasses** when using equipment.

## 1.0 UNPACKING & SETUP

The Porta-Screen®, packed for shipment, weighs 225–255lb depending on the model and the number of trays packed inside. Use equipment to adequately handle this weight safely. Wear safety glasses and work gloves.

1. The Porta-Screen® is shipped in a cardboard carton. Before you accept the shipment, check the carton for visible damage. Note any damage on the freight bill and proceed with inspection.
2. Place the carton on its side so that you can remove the staples from the bottom. Open the bottom flaps and set the machine upright again. Lift off the carton and set it aside until you are sure that the Porta-Screen® is in acceptable condition.
3. Check the machine for shipping damage. If you find concealed damage after you have signed for the Porta-Screen®, call the delivering carrier immediately for an inspection. Save all packing materials and leave the Porta-Screen® as it is.
4. Check the tag on the electric motor of the Porta-Screen® to be sure that the machine is wired as ordered.
5. Release clamping pressure on the Porta-Screen® trays by rotating the clamp levers outward and upward 180°.
6. Remove trays by sliding them out the front of the machine.
7. Choose your operating site:
  - The Porta-Screen® requires a properly-wired, three-pronged, grounded receptacle with appropriate electrical current for the machine.
  - Choose a well-ventilated site.
  - Set the Porta-Screen® on a solid, rigid, level floor with adequate space available for installation, operation, and maintenance.
8. When you have placed the Porta-Screen® in its operating location, and each time you move it, level the unit by adjusting the three leveling legs. DO NOT affix the Porta-Screen® base to a floor or other surface.
  - *To extend a leg*, place your foot on the edge of the pad and lift up the machine above the leg.
  - *To contract a leg*, push the leg lock tab, which extends from the case above each footpad.
  - Use the bullseye level in the top frame crossbar as a guide.After you have placed the Porta-Screen® into service, observe the distribution of sample material in the trays at the end of a test. If the material is not evenly distributed, re-level the machine.
9. Reinstall the trays in the Porta-Screen®. Leave them unclamped.
10. Do not plug in the Porta-Screen® until you are ready to use it.



**VIDEO TUTORIALS AVAILABLE AT  
GLOBALGILSON.COM FOR PORTA-SCREEN®  
MAINTENANCE AND REPAIR.**

## 2.0 OPERATING INSTRUCTIONS

**NOTE:** Please read and understand all safety and operating instructions for the Gilson Porta-Screen® before putting it into service.

### 2.1 TIMER SETUP & OPERATION

This unit is equipped with an easy-to-operate Gilson interval countdown timer. The timer has a large, 0.6in LED display and will operate in four different modes. It is powered by line voltage and will work on power supplies 100–265VAC, 50/60Hz, with up to 20 amps Inductive or Resistive current.

**NOTE:** The main device controlled by the timer may be restricted to operating on a more limited electrical supply range. Check the device carefully to ensure compatibility with your electrical supply.

Current timer mode is indicated by the four red LEDs on the timer face:

- A = MMSS (99min:59sec x 1sec)
- B = HHMM (99hr:59min x 1min)
- C = SSSS (9,999sec x 1sec)
- D = MMMM (9,999min x 1min)

(H is for hours, M for minutes, and S for seconds.) To adjust the timer mode, press and hold both the up and down arrow keys at the same time until the display shows the mode. Once the mode letters are displayed, press either the up or down arrow to change modes. Press “START”/“STOP” to accept new mode.

To set the run time, press either the up or down arrow key. The first digit on the right hand side will flash in half-second intervals. Press either arrow key to adjust to the desired value. To enter the displayed digit and move to the next, press “START”/“STOP”. Once the last digit on the left is entered, the timer is ready to start.

Press “START”/“STOP” to initiate the current run program. Once running, pressing “START”/“STOP” again will pause the timer with the current amount of time remaining on screen. When allowed to time-out, the timer beeps and displays “DONE”. Press any key to continue. Setting and Mode values are saved automatically and restored on power-up.

### 2.2 PROCEDURE

Read and be sure you understand all safety, operating, and timer instructions, as well as specifications and procedures for your test.

1. Check to see that the Porta-Screen® is level.
2. Select and load the appropriate trays.

Fill all the slots: 5 trays and a pan for the PS-3  
7 trays and a pan for the PS-4

The Porta-Screen® will not clamp or operate properly unless fully loaded with trays. If your test requires fewer trays than the capacity of the Porta-Screen®, you may insert the required trays in the upper slots with the pan immediately below. Then fill the lower slots with extra trays.

3. Clamp the trays by rotating the clamp levers so that they point down.
4. Pour your sample into the top tray. Refer to the sample capacity information and be sure not to overload the Porta-Screen®.
5. Connect the three-pronged plug into a properly-wired, grounded receptacle with appropriate electrical current.
6. Set and activate the timer.
7. When the machine stops, unclamp the trays by rotating the clamp levers so they point up. Remove and empty the trays, following the directions in the test specifications.
8. When you have finished the test, unplug the machine. Do not reconnect power until you are ready to use the machine again.
9. Store clean, empty trays in the unit, leaving them unclamped.
10. Re-level the machine before the next use.

### 3.0 SAMPLE CAPACITY

Capacity of the Porta-Screen® depends on the specifications of the test and the type and size of the material being tested. For any given sample, the Porta-Screen's maximum capacity is determined by the tray which has the largest load at the end of the test. This is the limiting tray.

#### 3.1 COARSE AGGREGATE

Minimum quantity of sample is usually established by the specifications of the test procedure. For example, ASTM C136 "Specification for the Sieve or Screen Analysis of Fine and Coarse Aggregates" calls for the minimum weight of the test sample of coarse aggregates (density such as limestone or gravel) as follows:

- These guidelines on minimum sample size quantities are for representative samples. Always take a much larger amount, perhaps from several spots in a storage bin or stockpile. Then combine and reduce them to the correct quantity by splitting.
- With coarse series trays (2in–No.4), the limiting tray should have no more than one layer of particles over the wire cloth at the end of the test. Therefore, lightweight aggregates or coal must be tested in lower sample weights. High-density ores or pellets may be tested in larger amounts by weight. Many light materials are also soft, and test times should be limited to avoid degradation of the sample.
- Most samples of up to 2in topsize can be handled in a single batch without difficulty. We do not recommend the use of trays with mesh sizes above 1.5in, since larger particles become wedged in the mesh and make it difficult to remove the trays.

Normal Maximum Size of Particle mm (in)	Minimum Sample Weight kg (lb)
9.5 (3/8)	1 (2)
12.5 (1/2)	2 (4)
19.0 (3/4)	5 (11)
25.0 (1)	10 (22)
38.0 (1.5)	15 (33)
50 (2)	20 (44)
63.5 (2.5)	35 (77)

#### 3.2 FINE AGGREGATES

With fine series trays (No.8–200), the limiting tray should contain no more than approximately 4g per square inch of sieve surface at the end of a test. Assuming that the material is about the density of sand, there will be approximately 800g maximum on the limiting tray.

Since the Porta-Screen® is designed primarily for use in the 2in–No.20 range, separations in finer sizes will not be as precise. If you are testing materials exclusively in the fine range, we recommend equipment specifically designed for this purpose, such as the SS-8R Gilson 8in Tapping Sieve Shaker.

### 4.0 MAINTENANCE & DISASSEMBLY

**NOTE:** Please read and understand all safety and maintenance instructions for the Gilson Porta-Screen® before performing maintenance on it.

#### WARNING

**Always disconnect and lock out electric power before performing maintenance!**

#### 4.1 CLAMPING SYSTEM

1. DISCONNECT AND LOCK OUT ELECTRIC POWER.
2. Load the Porta-Screen® with trays and a pan, filling all the slots.
3. Rotate the Clamp Levers (38) so that they point down.
4. Locate the Clamp Adjusting Nuts (9), which are on the lower ends of the four Clamp Tension Rods (7).
5. Tighten the nuts only enough to prevent the trays from rattling when the machine is operating.

#### 4.2 LUBRICATION

1. DISCONNECT AND LOCK OUT ELECTRIC POWER.
2. Remove and set aside trays and a pan.
3. Remove upper case cover.
4. **Connection Rod Bearing:** Lubricate the Connecting Rod Bearing (52) after every 80–100 hours of operation.



- a. Rotate Drive Shaft (20) slightly by hand until the grease fitting at the lower end of the Connecting Rod (50) is accessible. (Grease fitting may be pointing either to the front or to the back of the Porta-Screen®).
  - b. Apply a small amount of any good-quality bearing grease.
  - c. Proceed to shaft bearing lubrication.
5. **Shaft Bearings:** There are two Bearings (47), front and rear, on the Drive Shaft, and two Bearings (41), front and rear, on each of the two Counterweight Shafts (12, 13). Some Porta-Screens have sealed shaft bearings; others have shaft bearings with grease fittings. If the shaft bearings on your machine have grease fittings, lubricate the bearings after every 80–100 hours of operation.
- a. WITH ELECTRIC POWER DISCONNECTED AND LOCKED OUT, and trays, pan, and upper case cover removed, remove lower front and rear case covers.
  - b. Apply a small amount of any good-quality bearing grease.
  - c. Reassemble in reverse order.
6. **Motor Bearings:** Lubricate annually.
- a. Remove trays, pan, and upper case cover.
  - b. Remove lower front and rear case covers.
  - c. Find and remove the oil plugs at each end of the motor.
  - d. Insert a few drops of oil.
  - e. Replace plugs.
  - f. Reassemble in reverse order.
7. **Idler Pulley Bearings:** These sealed Bearings (62) do not require lubrication.

#### 4.3 BELTS

The Drive Belt (22) should fit snugly. If the belt is too tight, it will soon wear out, causing bearings to wear and resulting in noisy operation. A loose belt may cause the unit to run too slowly or to slip. Keep the Drive Pulley (21) and Motor Pulley (60) aligned so that the Drive Belt is straight.

The Timing Belt (16) should fit tightly.

#### Access to Belts

1. DISCONNECT AND LOCK OUT ELECTRIC POWER.
2. Remove and set aside trays and pan.
3. Remove all case covers.

**Drive Belt:** Check tension by pressing on the span of the belt. If properly adjusted, the belt should be deflected 1/64th of the value of the distance between the pulleys. To adjust or remove, loosen the Motor Mounting Bolts (61); and the motor will slide up, loosening the belt tension.

1. To adjust, move the motor up or down until the belt tension is correct. Retighten the nuts.
2. Remove the loosened belt if it is worn and install a new one. Obtain the correct tension by moving the motor up or down. Retighten the nuts.

3. Continue or reassemble.

**Timing Belt:** Check tension by pressing on the span of the belt. The belt should be tight. To adjust or remove the Timing Belt, loosen the two Idler Bracket Mounting Screws (45). Loosen the nut on the Adjusting Screw (46).

1. **To tighten:** Turn in the adjusting screw to pull the Bracket (17) down and increase tension on the belt. Retighten the nut to hold the bracket in position. Reassemble.
2. **To replace:** Loosen the adjusting screw to permit the idler bracket to move upward, loosening the tension on the Timing Belt so that you can remove it. Before reinstalling belt:
  - a. Rotate Drive Shaft (20) until the Connecting Rod (50) is at its highest position.
  - b. Rotate Counterweight Shafts (12,13) until counterweights are at their lowest position.
  - c. Fit the belt around the left Counterweight Shaft Pulley, around the Timing Pulley (49), above the right Counterweight Shaft Pulley, and around the Idler Pulley (19).
  - d. Tighten the idler bracket adjusting screw until the Timing Belt is tight, *making certain* that you do not change the position of the shafts. Lock the idler bracket in position with the nut. Tighten the bracket mounting screws.
  - e. Reassemble.

**DO NOT PLUG IN THE PORTA-SCREEN® UNTIL YOU ARE READY TO USE IT.**

#### 4.4 BEARING REPLACEMENT

1. **Guide Bearing Assemblies:** The Porta-Screen® has three guide bearing assemblies: each has a housing and guide bushing. The two Upper Guide Bearings (34) are mounted to the top frame crossbar. The Lower Guide Bearing (59) is mounted to the underside of the vibrating unit. If you notice side-to-side movement of the vibrating unit during operation, inspect the guide bearings and replace them if necessary. We recommend replacement of all three assemblies at the same time.
  - a. DISCONNECT AND LOCK OUT ELECTRIC POWER.
  - b. Remove and set aside trays and pan.
  - c. Remove Top Frame Screws (2), and lift off Top Frame Crossbar (1).
  - d. **Upper:**
    - (1) Remove Mounting Screws (35) to detach Bearing Housing.
    - (2) Replace with new Bearing Housing Assembly.
  - e. **Lower:**
    - (1) Remove all case covers.
    - (2) Remove the Connecting Rod Mounting Bolt (24).
    - (3) Lift the entire vibrating unit assembly up and out of the Porta-Screen® frame.
    - (4) Remove Mounting Screws (56) to detach Bearing Housing Unit.
    - (5) Replace with new Bearing Housing Assembly.
  - f. Reassemble in reverse order.

**DO NOT PLUG IN THE PORTA-SCREEN® UNTIL YOU ARE READY TO USE IT.**

2. **Connecting Rod & Drive Shaft Bearings:** The Connecting Rod (50) can be replaced as an assembly, or you can press out and replace its Bearing and Bushing (51,52). The Drive Shaft (20) has front and rear Bearings (47). We recommend replacement of both front and rear bearings as a set.
- DISCONNECT AND LOCK OUT ELECTRIC POWER.
  - Remove and set aside trays and pan.
  - Remove Top Frame Screws.
  - Lift off Top Frame Crossbar.
  - Remove all case covers.
  - Remove the Connecting Rod Mounting Bolt.
  - Lift the entire vibrating unit assembly up and out of the Porta-Screen® frame.
  - Loosen the Motor Mounting Bolts to release tension on the Drive Belt, and remove the Drive Belt from its pulleys.
  - Loosen the setscrew in the Drive Pulley (21), and slide the pulley off the Drive Shaft.
  - Loosen the setscrew in the Rear Drive Shaft Bearing.
  - Loosen the Idler Bracket Mounting and Adjusting Screws (45, 46) to release tension on the Timing Belt (16).
  - Remove the Timing Belt.
  - Loosen the setscrew in the Drive Shaft Pulley (49), and slide the pulley off the Drive Shaft.
  - Remove the mounting screws from the Front Drive Shaft Bearing.
  - Hold onto the top of the Connecting Rod while you pull the Drive Shaft out from the front of the machine with the front Bearing attached.
  - Remove the Connecting Rod.
  - Install new Connecting Rod Assembly or press new Bushing and Bearing into existing Connecting Rod.
  - Replace Drive Shaft bearings if needed.
  - Continue or reassemble in reverse order. When replacing Timing Belt, refer to Section 4.3 and be sure that counterweights are aligned properly.

**DO NOT PLUG IN THE PORTA-SCREEN® UNTIL YOU ARE READY TO USE IT.**

3. **Counterweight Shaft Bearings:** Each of the two Counterweight Shafts (12,13) has a Front and a Rear Bearing (41). We recommend replacement of both bearings on a shaft. If you have disassembled the Porta-Screen® to replace the Connecting Rod and/or Drive Shaft Bearings, skip to step h. Otherwise, disassemble as follows:
- DISCONNECT AND LOCK OUT ELECTRIC POWER.

- Remove and set aside trays and pan.
- Remove Top Frame Screws.
- Lift off Top Frame Crossbar.
- Remove all case covers.
- Remove the Connecting Rod Mounting Bolt.
- Lift the entire vibrating unit assembly up and out of the Porta-Screen® frame.
- Loosen the Idler Bracket Mounting and Adjusting Screws to release tension on the Timing Belt.
- Remove the Timing Belt.
- Loosen the bolts on the Rear Counterweight Clamp Bracket (43), and remove the Counterweight (14) from the shaft.
- Loosen the setscrew which holds the Rear Bearing to the Counterweight Shaft.
- Remove the Mounting Screws (42) which hold the Front Counterweight Shaft Bearing to the main frame.
- Pull the Counterweight Shaft from the front of the machine with its Front Counterweight, Pulley, and Front Bearing all attached.
- Reinstall parts as needed.
- Reassemble in reverse order. When replacing Timing Belt, refer to Section 4.3 and be sure that the counterweights are aligned properly.

**DO NOT PLUG IN THE PORTA-SCREEN® UNTIL YOU ARE READY TO USE IT.**

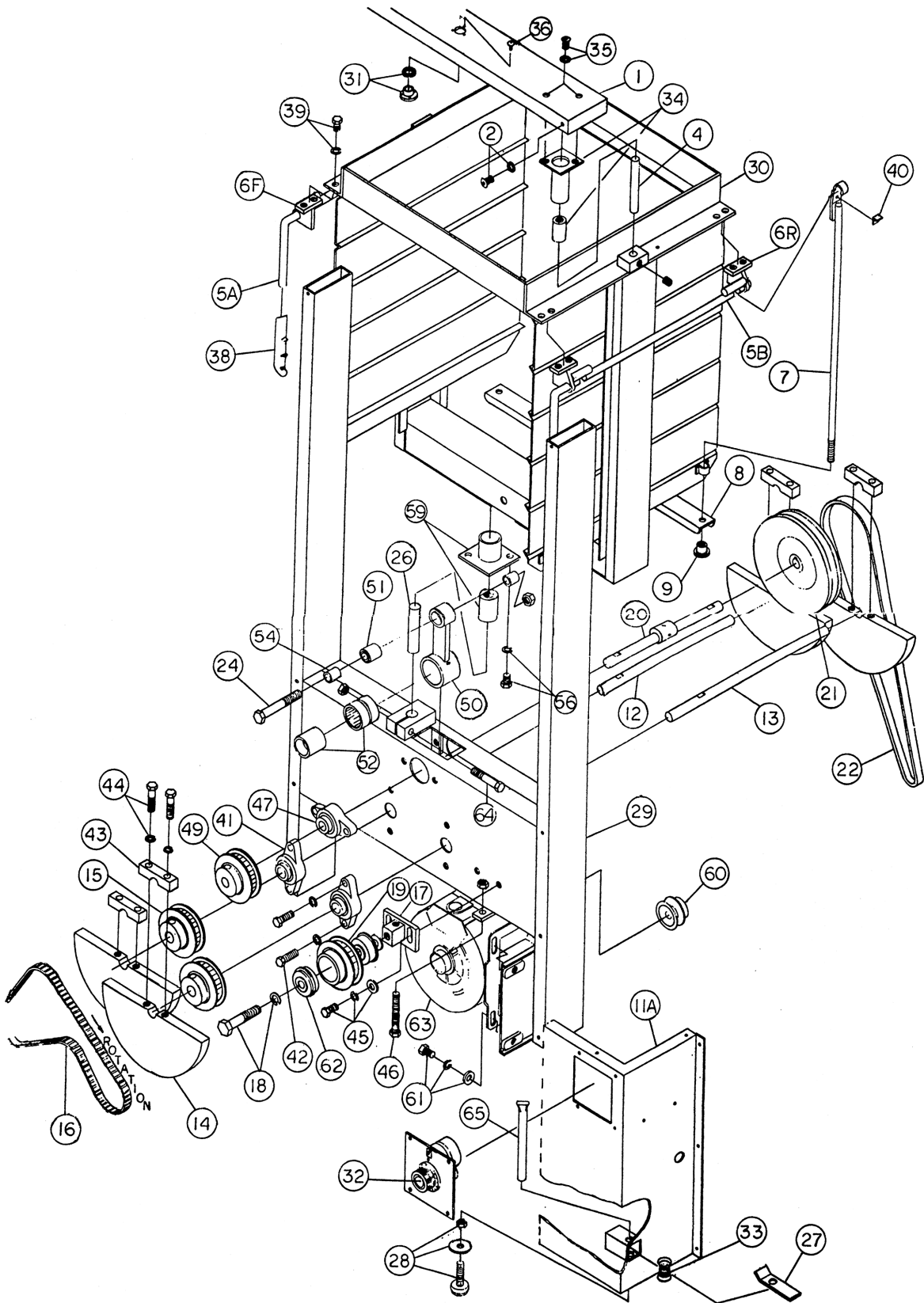
4. **Wire Cloth:** Check condition of wire cloth both before and after operation. Test results can be only as accurate as the size of wire cloth openings. Always replace with testing grade wire cloth only.

Testing grade wire cloth is a precision-made material and should be treated with care. The ASTM E11 specification permits only very slight variations in average opening and wire diameter. Abrasion due to normal use and/or improper cleaning and handling can cause the wire cloth to be out of specification to a considerable degree before it appears worn. Check it frequently to be sure that it conforms to your test specifications.

Wire cloth life can be extended by establishing proper procedures for handling, cleaning, and storage of trays. The PSA-367 Porta Sample Pan is helpful in the repetitive sequence of emptying trays, cleaning wire cloth, and weighing sample fractions.

Wire cloth may eventually sag, reducing its effective screening area. Wire sizes 2in-No.14 are rigid and self-supporting. Trays for No.16-80 wire cloth contain three wire cloth support strips. No.100 and finer trays have supporting backing cloth to minimize wear and distortion. When you replace No.16 and finer wire cloth, always use support strips or backing cloth as indicated.

## 5.0 PARTS DIAGRAM



PS-3 & PS-4 Parts Diagram



## 6.0 REPLACEMENT PARTS

### 6.1 PS-3 AND PS-4 PARTS LIST

Item No.	Part No.	Description	No. Req.
<b>OUTER CASE &amp; FRAME PARTS</b>			
1	RPPS-3KEY1	Top Frame Cross Bar	1
2	RPPS-3KEY2	Top Frame Screw & Lock Washer	4
31	RPPS-3KEY31	Bullseye Level with Cushion Washer	1
36	RPPS-3KEY36	Bullseye Level Adjusting Screws	3
27	RPPS-3KEY27	Leg Lock Tab	3
33	RPPS-3KEY33	Leg Lock Tab Spring	3
65, 28	RPPS-3KEY65/28	Leveling Leg (65), with Adjusting Screw Pad, Nut, & Washer	3
29	RPPS-3KEY29	Main Frame for PS-3, PS-3F	1
	RPPS-4KEY29	Main Frame for PS-4, PS-4F	
30	RPPS-3KEY30	Vibrating Unit Assembly for PS-3, PS-3F	1
	RPPS-4KEY30	Vibrating Unit Assembly for PS-4, PS-4F	
	RPPS-3KEY10	Upper Case Cover	2
11A	RPPS-3KEY11A	Lower Case Cover, Front	1
	RPPS-3KEY11B	Lower Case Cover, Rear	1
<b>UPPER GUIDE BEARING ASSEMBLY PARTS</b>			
34	RPPS-3KEY34	Upper Guide Bearing Housing with Guide Bushing	2
35	RPPS-3KEY35	Upper Guide Bearing Mounting Screw & Lock Washer	4
4	RPPS-3KEY4	Upper Guide Bearing Pin & Setscrew	2
<b>CLAMPING ASSEMBLY PARTS, RIGHT &amp; LEFT</b>			
5A	RPPS-3KEY5A	Clamp Lever with Mounting Bracket (6F), Left Side, PS-3, PS-3F	1
	RPPS-4KEY5A	Clamp Lever with Mounting Bracket (6F), Left Side, PS-4, PS-4F	
5B	RPPS-3KEY5B	Clamp Lever with Mounting Bracket (6F), Right Side, PS-3, PS-3F	1
	RPPS-4KEY5B	Clamp Lever with Mounting Bracket (6F), Right Side, PS-4, PS-4F	
38	RPPS-3KEY38	Clamp Lever Handle Grip	2
6R	RPPS-3KEY6R	Rear Clamp Lever Mounting Bracket	2
39	RPPS-3KEY39	Clamp Lever Mounting Bracket Screw & Lock Washer	8
7	RPPS-3KEY7	Clamp Tension Rod for PS-3, PS-3F	4
	RPPS-4KEY7	Clamp Tension Rod for PS-4, PS-4F	
40	RPPS-3KEY40	Clamp Tension Rod Retainer Clip, Screw, & Lock Washer	4
8	RPPS-3KEY8	Clamp Bar	1
9	RPPS-3KEY9	Clamp Adjusting Nut & Spacer	4
<b>COUNTERWEIGHT ASSEMBLY PARTS</b>			
12	RPPS-3KEY12	Left Counterweight Shaft (Short)	1
13	RPPS-3KEY13	Right Counterweight Shaft (Long)	1
41	RPPS-3KEY41	Counterweight Shaft Bearing	4
42	RPPS-3KEY42	Counterweight Shaft Bearing Mounting Screw & Lock Washer	8
14	RPPS-3KEY14	Counterweight for PS-3, PS-3F	4
	RPPS-4KEY14	Counterweight for PS-4, PS-4F	
43	RPPS-3KEY43	Counterweight Clamp Bracket for PS-3, PS-3F	4

Item No.	Part No.	Description	No. Req.
	RPPS-4KEY43	Counterweight Clamp Bracket for PS-4, PS-4F	
44	RPPS-3KEY44	Counterweight Clamp Bracket Bolt & Lock Washer	8
15	RPPS-3KEY15	Counterweight Shaft Pulley & Setscrew	2
16	RPPS-3KEY16	Timing Belt	1
17	RPPS-3KEY17	Idler Bracket	1
45	RPPS-3KEY45	Idler Bracket Mounting Screw with Lock & Flat Washers	2
46	RPPS-3KEY46	Idler Bracket Adjusting Screw with Locking Nut	1
18	RPPS-3KEY18	Idler Pulley Mounting Screw & Lock Washer	1
19	RPPS-3KEY19	Idler Pulley with Bearing Set	1
62	RPPS-3KEY62	Bearing Set Only	1
<b>DRIVE SHAFT ASSEMBLY PARTS</b>			
20	RPPS-3KEY20	Drive Shaft with Eccentric & Roll Pin	1
47	RPPS-3KEY47	Drive Shaft Bearing	2
42	RPPS-3KEY42	Drive Shaft Bearing Mounting Screw & Lock Washer	4
49	RPPS-3KEY49	Timing Pulley & Setscrew	1
21	RPPS-3KEY21	Drive Pulley with Setscrew	1
22	RPPS-3KEY22	Drive Belt	1
<b>CONNECTING ROD ASSEMBLY PARTS</b>			
	RPPS-3KEY23	Connecting Rod Assembly (50, 51, 52)	1
50	RPPS-3KEY50	Connecting Rod with Grease Fitting	1
51	RPPS-3KEY51	Connecting Rod Rubber Bushing	1
52	RPPS-4KEY52	Connecting Rod Bearing with Inner Race	1
24	RPPS-3KEY24	Connecting Rod Mounting Bolt with Lock Nut	1
54	RPPS-3KEY 54	Connecting Rod Mounting Bolt Spacer	2
<b>LOWER GUIDE BEARING ASSEMBLY PARTS</b>			
59	RPPS-3KEY59	Lower Guide Bearing Housing with Guide Bushing	1
56	RPPS-3KEY56	Lower Guide Bearing Mounting Screw & Lock Washer	2
26	RPPS-3KEY26	Lower Guide Bearing Pin	1
64	RPPS-3KEY64	Lower Guide Bearing Pin Clamp Bolt with Lock Nut	1
<b>ELECTRIC &amp; DRIVE PARTS</b>			
63	RPPS-3KEY63	Motor 115V,60Hz for PS-3, PS-4	1
	RPPS-3KEY63-1	Motor 230V,50Hz for PS-3F, PS-4F	
60	RPPS-3KEY60	Motor Pulley & Setscrew	1
61	RPPS-3KEY61	Motor Mounting Bolt with Lock & Flat Washer	4
	RPPS-3-ECA-MOTOR	Electric Cord Assembly with Plug, 6ft Cord	1
	RP-TIMER-ART	Timer, Digital, for S/N 3520 & Higher	1

## 6.2 REPLACEMENT TRAYS, WIRE CLOTH, & PARTS

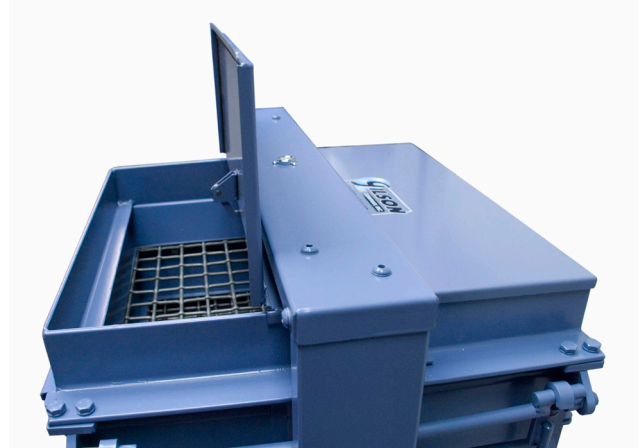
GILSON PORTA-SCREEN REPLACEMENT TRAYS, WIRE CLOTH, & PARTS		
	Model	Description
Porta-Screen® Trays, complete with wire cloth.	PSA-300	2in-No.4 inclusive
	PSA-301	No.5-14 inclusive
	PSA-302	No.16-100 inclusive with Wire Cloth Supports
	PSA-303	No.120 with Backing Cloth
	PSA-306	No.200 with Backing Cloth
	PSA-310	Dustpan Tray
Replacement Wire Cloth, complete with metal shields and resilient gasket backing.	PSA-325	2in-No.4 inclusive
	PSA-326A	No.5-14 inclusive
	PSA-326B	No.16-100 inclusive
	PSA-327	No.200
	PSA-225	Backing Cloth (Use with No.100-200)
Screen Tray Parts	PSA-336	Complete Tray, but without Wire Cloth, Supports, or Backing Cloth
	RPPSA-336-1	Tray Side Clamp (4 Required Per Tray)
	RPPSA-336-2	Tray Bolts & Nuts (12 Required Per Tray)
	RPPSA-336-6	Wire Cloth Support (3 Required Per Tray)

## 7.0 ACCESSORIES



**PSA-114**

**PSA-114 Porta-Wheels** may be attached for added mobility. Ball-bearing wheel assemblies with rubber tires are predrilled for quick attachment to frame of Porta-Screen®.



**PSA-312 on PS-3**

**PSA-312 Porta Cover** bolts to the top flange to enclose the sample chamber. It has a latch, and is hinged to open for introduction of samples.



**PSA-367**

**PSA-367 Porta Sample Pan** is helpful in emptying and cleaning trays and in weighing operations. This 17x30x4in (432x762x102mm), WxLxD chute-end pan is sized to fit inverted trays and hold entire samples for cumulative weighing. Handling is easy with the top swing-away handle and end handle grip.



**PSA-356**

**PSA-356 Porta-Screen Tray Rack** is organized up to eight Porta-Screen trays for storage and to protect frames and wire cloth from possible damage. Sturdy painted steel sections can be bolted together for stacking.



VISIT [GLOBALGILSON.COM](http://GLOBALGILSON.COM) TO SHOP PORTA-SCREEN® ACCESSORIES, TO SEE PRODUCT INFORMATION, AND TO WATCH PRODUCT MAINTENANCE AND REPAIR VIDEOS.