

## Clean-N-Weigh Accessory TSA-167

### FEATURES

Part No.	Description	Quantity
1	Hopper Assembly	1
2	Legs	4 (2 Left, 2 Right)
3	End Brace	2
4	Scale & Pan Support	2
5	Adjustable Feet	4
	Screws, Nuts & Washers	20 ea.

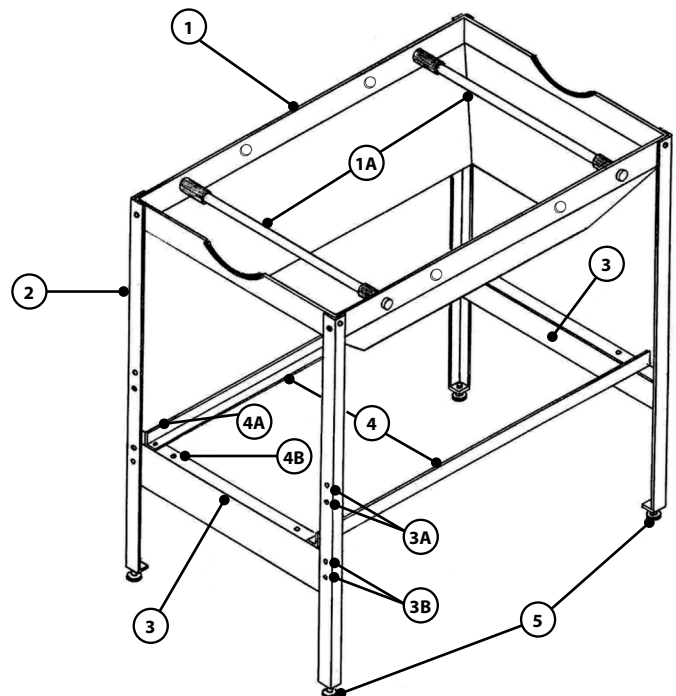


TSA-167 shown with TSA-171  
and screen tray

### ASSEMBLY

- Place hopper assembly (1) upside-down on a flat surface. If using Porta-Screen® Trays, position tray supports (1A) to inside holes of hopper.
- If the unit will be used to process screen trays from a Gilson Porta-Screen®, the two tray support rods of the hopper assembly should be moved to the inner most hole positions.
- Attach four legs (2) to hopper assembly (1) using screws, nuts and washers provided. Tighten by hand only.
- Attach end braces (3) to legs (2) in desired position, using screws, nuts, and washers provided. Upper holes (3A) are for use of a pan only when collecting material; lower holes (3B) are for use of a pan and scale for immediate weighing. Tighten screws by hand.
- Attach scale and pan supports (4) to end braces (3) at desired width. Outer holes (4A) are for use of Clean-N-Weigh with pan only. For use with scale, locate supports in inner holes (4B), or drill new holes to fit.
- Insert adjustable feet (5) into legs. Tighten all fasteners with screwdriver and wrench.
- Set unit on its legs. Adjust height as desired, and level unit.

(Continued on back.)



TSA-167 Parts Diagram

## OPERATING INSTRUCTIONS

---

1. Position the TSA-162 Chute-End Handling Pan included on the supports directly below the hopper.
2. At completion of a screening cycle, remove the top tray from the Testing Screen, Test-Master® or Porta-Screen® and invert it in the Clean-N-Weigh hopper. Brush out or gently remove all particles from the screen tray mesh, allowing them to fall through the hopper into the Handling Pan below.
3. Remove the Handling Pan and carefully dispense the contents into a tared receiving pan on the weighing scale, or weigh the Handling Pan and contents (a tare weight for the Handling Pan must be determined beforehand if this method is used).
4. The Clean-N-Weigh is also designed to accommodate various large capacity electronic balances offered by Gilson. Using a balance for this operation significantly speeds up weighing of sample fractions, and allows data acquisition via ports on the balance.